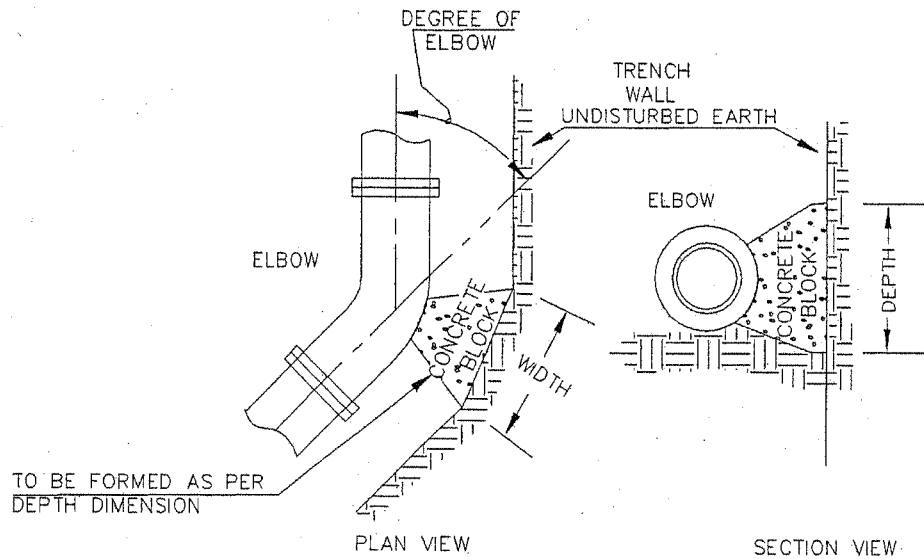


JUNE 1995

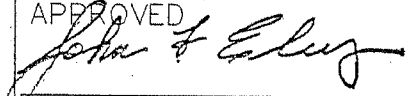


100 P.S.I. OPERATING PRESSURE

SIZE	11 1/4'		22 1/2'		45'		90'	
	W	D	W	D	W	D	W	D
6"	1'-0"	1'-0"	1'-0"	1'-0"	1'-6"	1'-6"	2'-3"	1'-6"
8"	1'-3"	1'-3"	1'-3"	1'-3"	1'-9"	1'-9"	3'-0"	2'-0"
10"	1'-9"	1'-6"	1'-9"	1'-6"	2'-3"	2'-3"	3'-6"	2'-6"
12"	2'-0"	1'-9"	2'-0"	1'-9"	2'-9"	2'-6"	4'-0"	3'-0"
16"	2'-9"	2'-3"	2'-9"	2'-3"	4'-0"	3'-0"	6'-3"	3'-6"
20"	3'-6"	2'-9"	3'-6"	2'-9"	4'-6"	4'-0"	8'-6"	4'-0"
24"	4'-6"	3'-0"	4'-6"	3'-0"	5'-6"	5'-0"	9'-9"	5'-0"

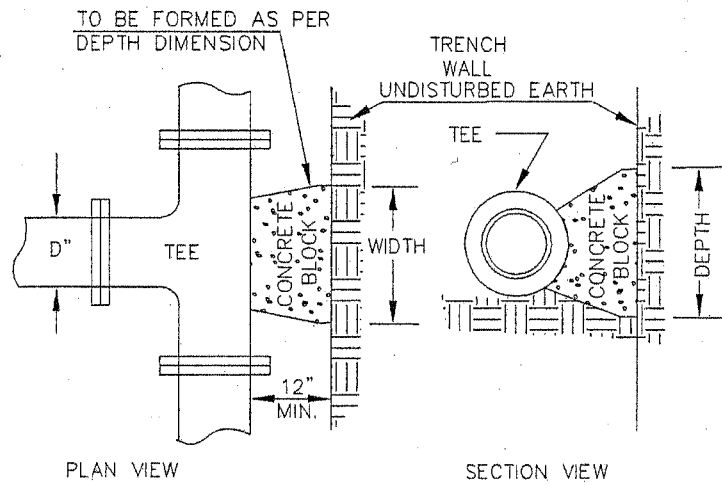
NOTE:
 ALL ABOVE DIMENSIONS APPLY TO STABLE TRENCH WALLS, UNDER VARIABLE
 CONDITIONS SIZE OF THRUST BLOCK SHALL BE DETERMINED BY ENGINEER.

NOT TO SCALE

APPROVED  Public Works Director Date	CITY OF FERNDALE THRUST BLOCKING ELBOWS	DRAWING W-2
--	---	----------------

JUNE 1995

2091WA2A/W-2



100 P.S.I.
OPERATING PRESSURE

SIZE	WIDTH	DEPTH
6"	1'-6"	1'-6"
8"	2'-0"	2'-0"
10"	2'-6"	2'-6"
12"	3'-0"	3'-0"
16"	4'-6"	3'-6"
20"	6'-0"	4'-0"
24"	7'-0"	5'-0"

NOTE:
ALL ABOVE DIMENSIONS APPLY TO STABLE TRENCH WALLS, UNDER VARIABLE
CONDITIONS SIZE OF THRUST BLOCK SHALL BE DETERMINED BY ENGINEER.

NOT TO SCALE

APPROVED
John F. Ealey
Public Works Director Date

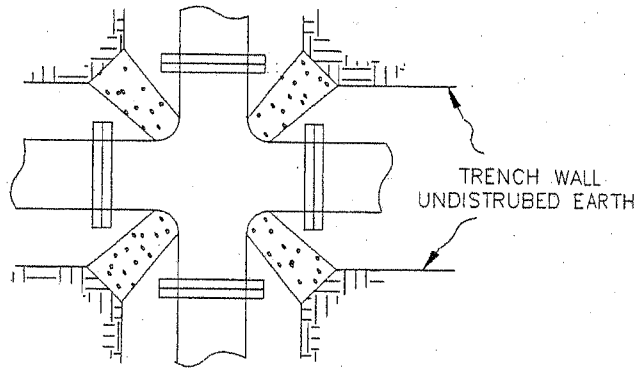
CITY OF FERNDALE
THRUST BLOCKING
TEES

DRAWING
W-3

JUNE 1995

2091WA2A/W-3

TO BE FORMED AS PER
DEPTH DIMENSION



100 P.S.I.
OPERATING PRESSURE

SIZE	WIDTH	DEPTH
6"	1'-0"	1'-0"
8"	1'-3"	1'-3"
10"	1'-6"	1'-6"
12"	1'-9"	1'-9"
16"	2'-3"	2'-6"
20"	2'-6"	3'-6"
24"	3'-0"	4'-0"

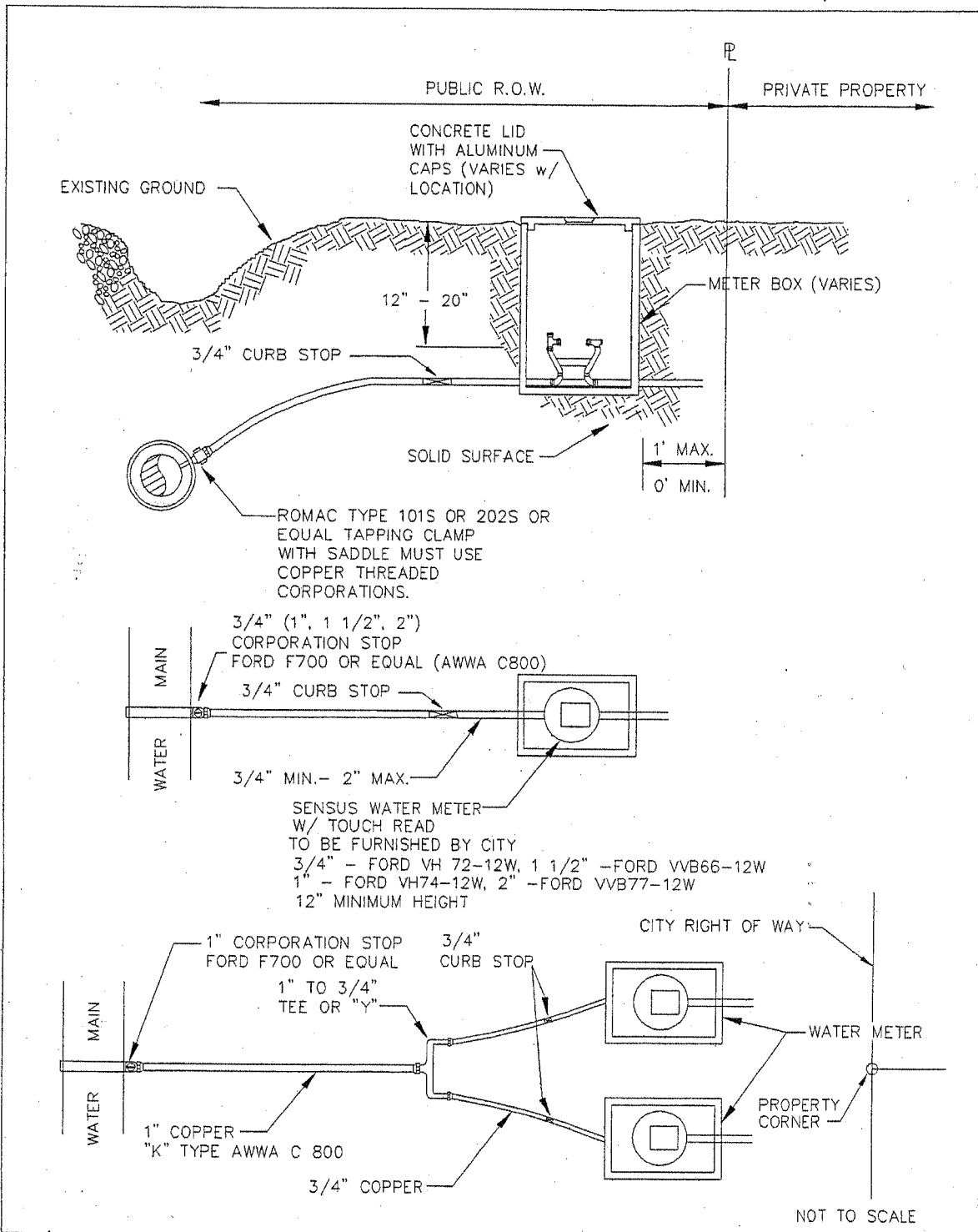
NOTE:
ALL ABOVE DIMENSIONS APPLY TO STABLE TRENCH WALLS, UNDER VARIABLE
CONDITIONS SIZE OF THRUST BLOCK SHALL BE DETERMINED BY ENGINEER.

NOT TO SCALE

<p>APPROVED <i>John F. Ealey</i> Public Works Director Date</p>	<p>CITY OF FERNDALE THRUST BLOCKING 4-WAY INTERSECTION.</p>	<p>DRAWING W-4</p>
--	---	------------------------

JUNE 1995

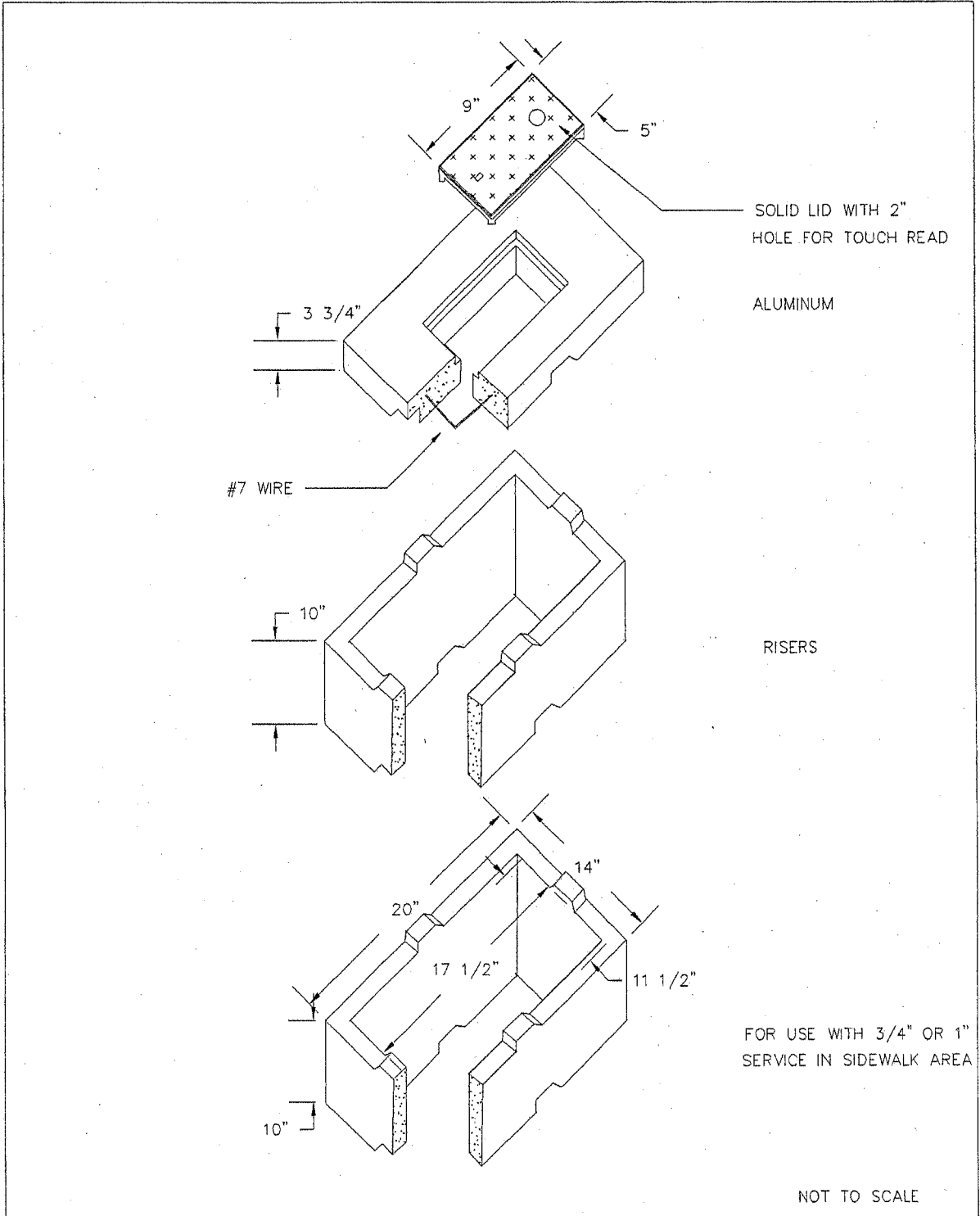
2091WA2A/W-4



APPROVED
John T. Ealey
 Public Works Director Date

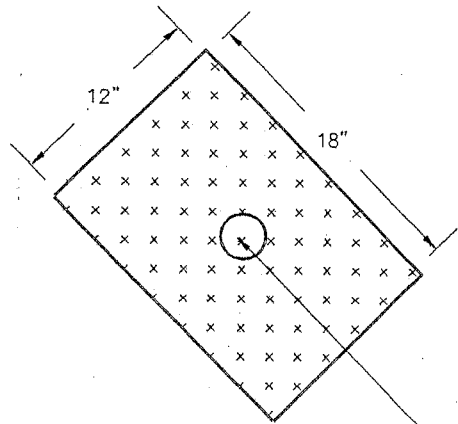
CITY OF FERNDALE
 TYPICAL WATER SERVICE
 (3/4" TO 2")

DRAWING
 W-5

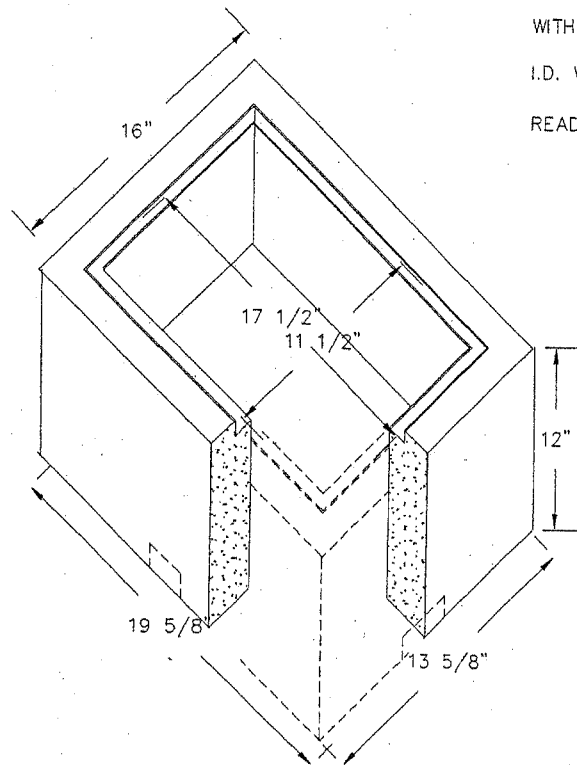


<p>APPROVED</p> <p><i>John F. Elmer</i></p> <p>Public Works Director Date</p>	<p>CITY OF FERNDALE</p> <p>NO. 1 METER BOX</p> <p>FOG TITE</p>	<p>DRAWING</p> <p>W-6</p>
--	--	---------------------------

JUNE 1995



3/8" STEEL TRAFFIC COVER
 WITH WELD "WATER" METER
 I.D. WITH 2" HOLE FOR TOUCH
 READ



NOTE: FOR USE WITH 3/4" OR 1"
 SERVICE IN TRAFFIC AREA

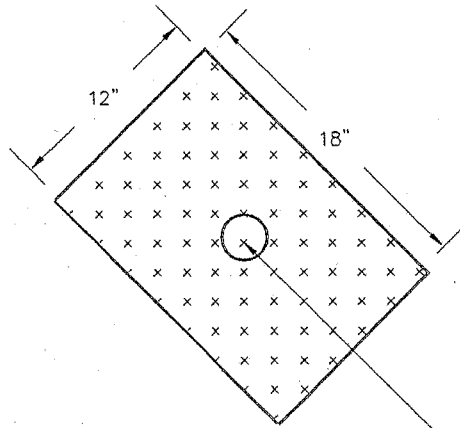
NOT TO SCALE

APPROVED

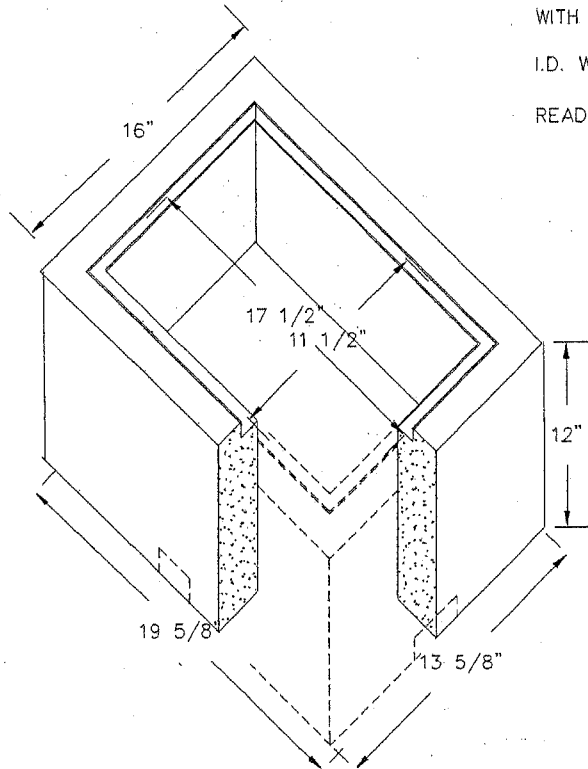
John T. Ealey
 Public Works Director Date

CITY OF FERNDAL
 1 D METER BOX FOG TITE

DRAWING
 W-7



3/8" STEEL TRAFFIC COVER
 WITH WELD "WATER" METER
 I.D. WITH 2" HOLE FOR TOUCH
 READ



NOTE: FOR USE WITH 2" METER

NOT TO SCALE

APPROVED

John F. Ealey

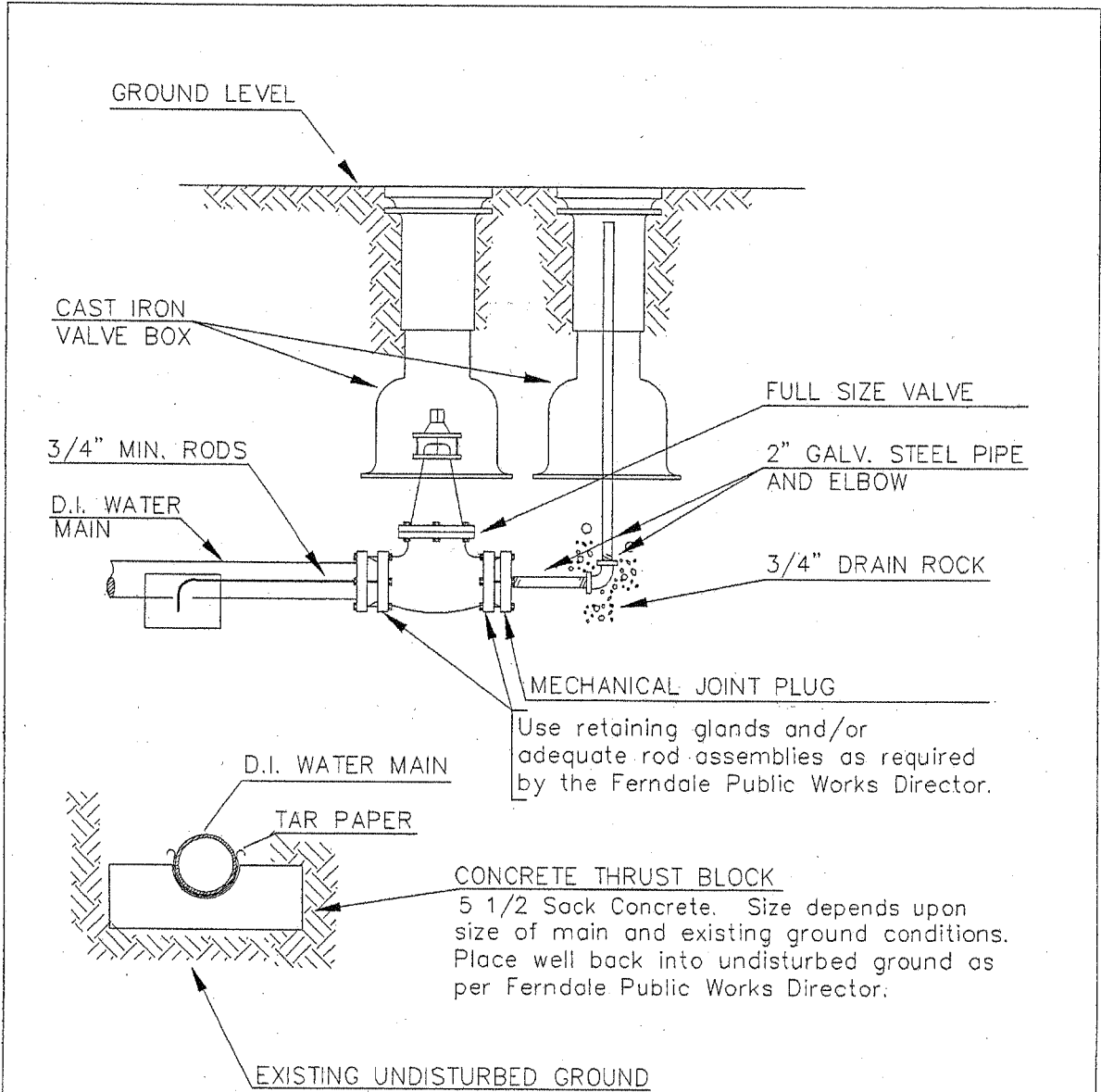
Public Works Director Date

CITY OF FERNDALE
 NO. 2 METER BOX
 FOG TITE

DRAWING

W-8

JUNE 1995

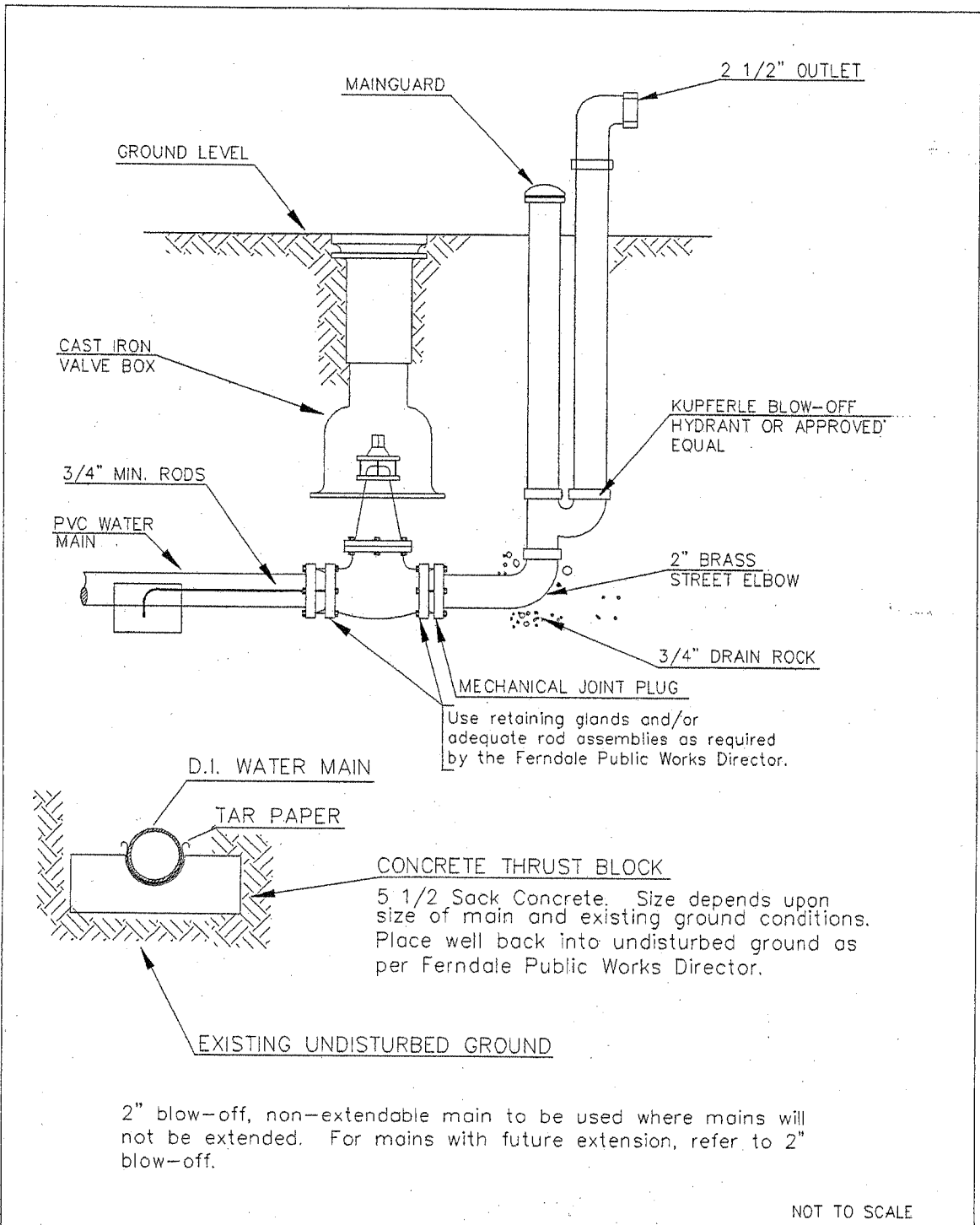


2" blow-off to be used where the main will extended in the future. For mains with no further extension, refer to 2" blowoff, non-extendable main.

NOT TO SCALE

<p>APPROVED</p> <p><i>John F. Elery</i></p> <p>Public Works Director Date</p>	<p>CITY OF FERDALE</p> <p>2" BLOW-OFF</p> <p>WATER MAIN EXTENSION</p>	<p>DRAWING</p> <p>W-9</p>
--	---	---------------------------

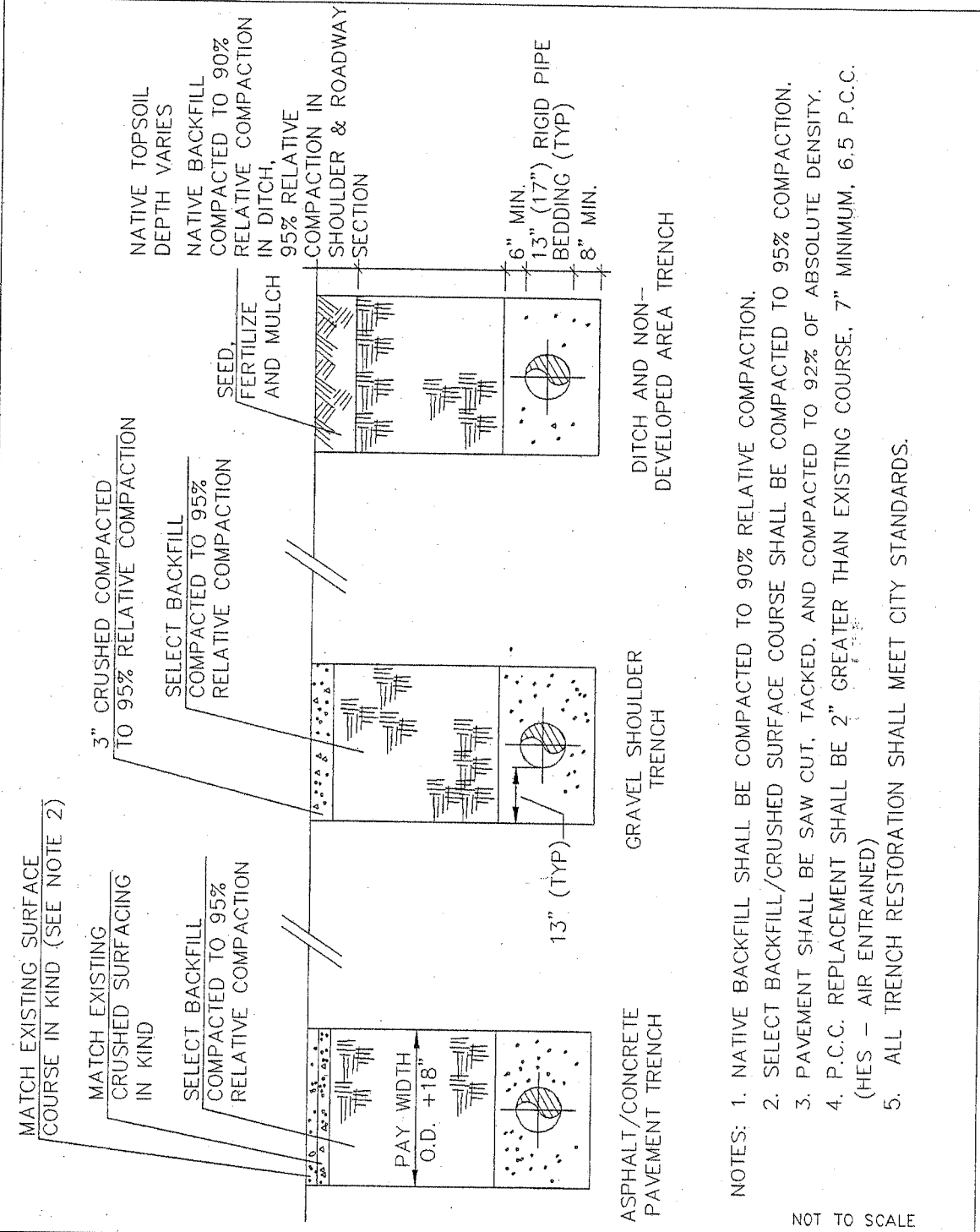
JUNE 1995



APPROVED
John F. Eluz
 Public Works Director Date

CITY OF FERNDAL
 2" BLOW-OFF
 NON-EXTENDABLE MAIN

DRAWING
 W-10

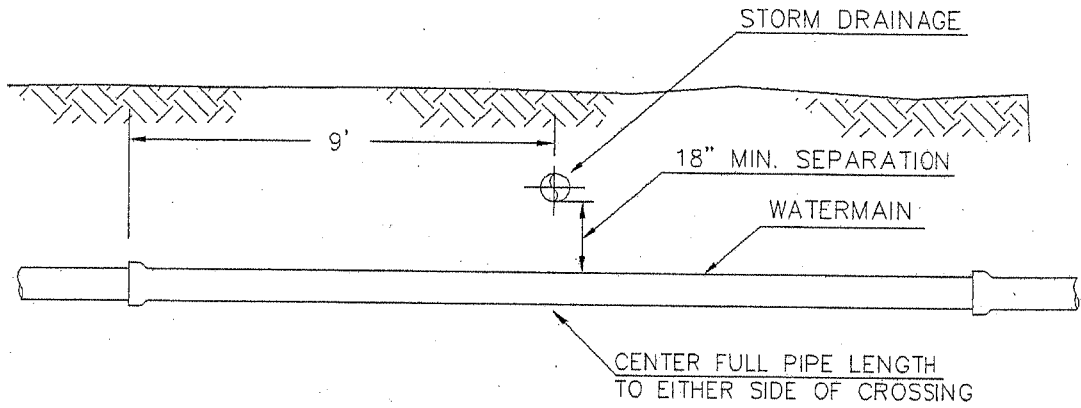


APPROVED
John F. Ealey
 Public Works Director Date

CITY OF FERNDALE
 TRENCHING DETAIL

DRAWING
 W-11

- NOTES:
1. NATIVE BACKFILL SHALL BE COMPACTED TO 90% RELATIVE COMPACTION.
 2. SELECT BACKFILL/CRUSHED SURFACE COURSE SHALL BE COMPACTED TO 95% COMPACTION.
 3. PAVEMENT SHALL BE SAW CUT, TACKED, AND COMPACTED TO 92% OF ABSOLUTE DENSITY.
 4. P.C.C. REPLACEMENT SHALL BE 2" GREATER THAN EXISTING COURSE, 7" MINIMUM, 6.5 P.C.C. (HES - AIR ENTRAINED)
 5. ALL TRENCH RESTORATION SHALL MEET CITY STANDARDS.



NOT TO SCALE

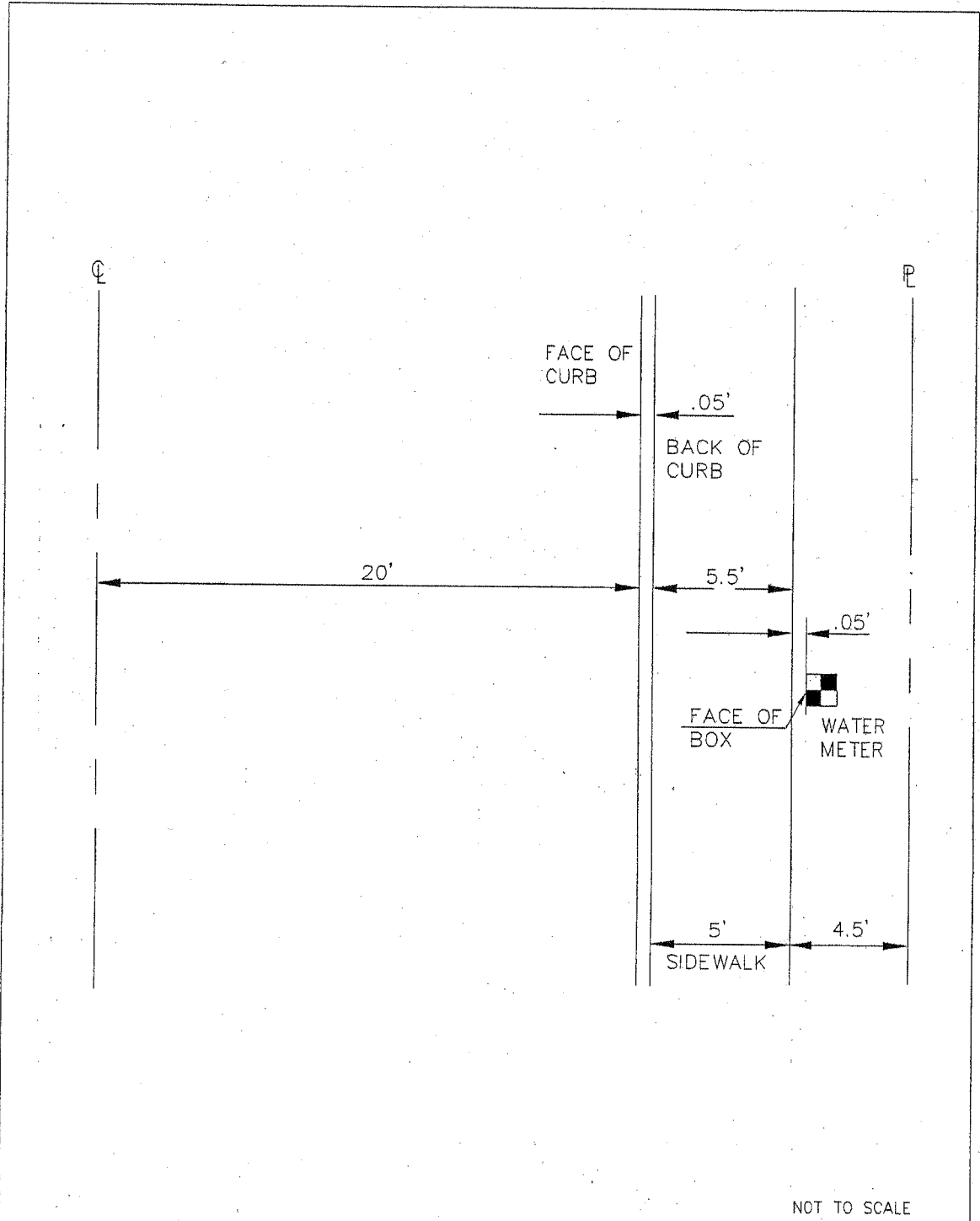
APPROVED

John F. Eley

Public Works Director Date

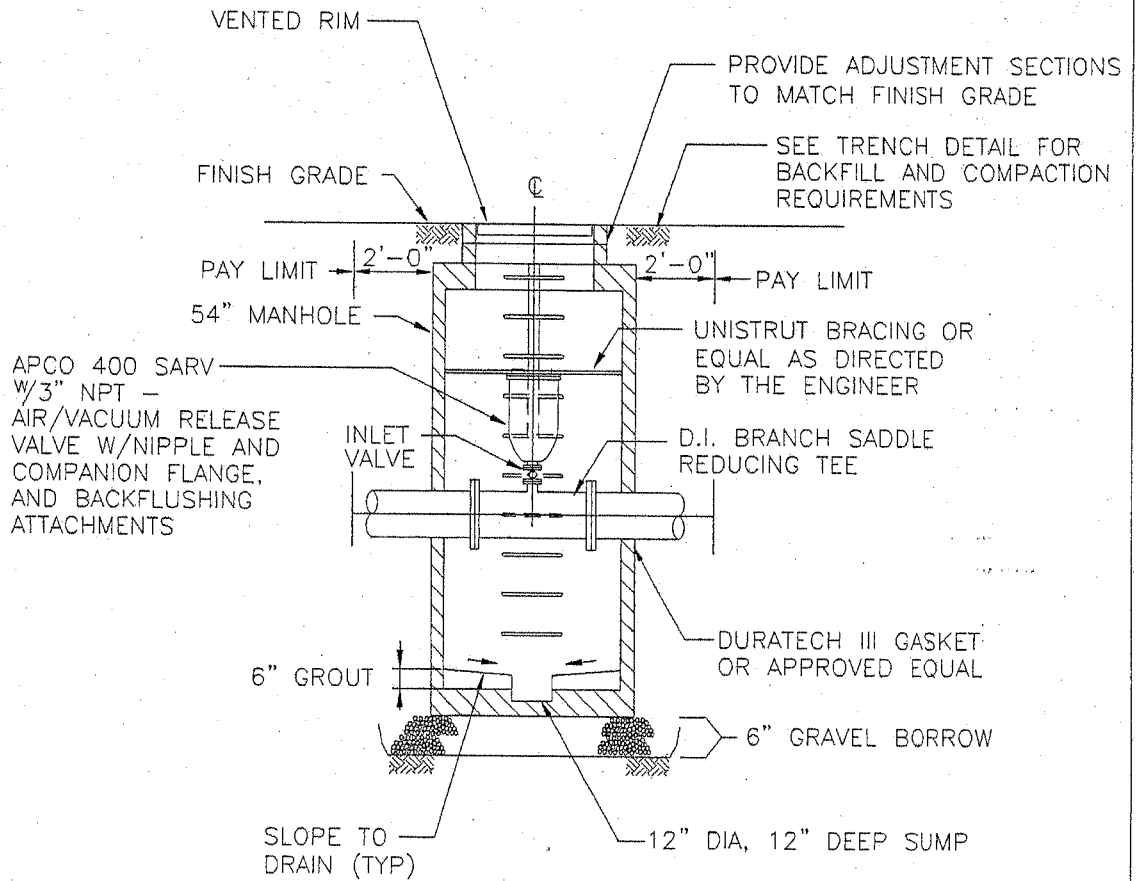
CITY OF FERNDALE
 WATER CROSSING DETAIL

DRAWING
 W-12



APPROVED <i>John F. Eley</i> Public Works Director Date	CITY OF FERNDALE WATER METER LOCATION DETAIL	DRAWING W-14
--	---	-----------------

JUNE 1995



NOT TO SCALE

APPROVED

John F. Eley
Public Works Director Date

CITY OF FERNDALE
AIR - VACUUM
RELEASE VALVE ASSEMBLY

DRAWING
W-13

JUNE 1995