

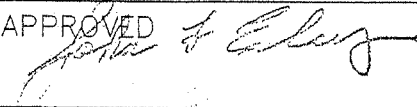
PRECAST MONUMENT
FOR OFF-ROAD USE

NOT TO SCALE

NOTES:

1. THE BRASS DISC SHALL BE CAST OF YELLOW BRASS - 2" MIN. DIAMETER WITH LONG SHANK.
2. CONCRETE SHALL BE CLASS "C" MIX.
3. ALL LOOSE MATERIAL SHALL BE REMOVED FROM THE BOTTOM OF THE HOLE SO THAT THE CONCRETE IS PLACED ON FIRM, UNDISTURBED EARTH.
4. THE TOP OF THE CONCRETE SHALL BE TROWELLED SMOOTH AND THE BRASS DISC SET IN THE CENTER FLUSH AND LEVEL.
5. LOCATION OF CONTROL POINT MAY BE PUNCHED AFTER CONCRETE HAS BEEN SECURED IN POSITION; POINT NOT TO EXCEED 1/4" FROM Q.

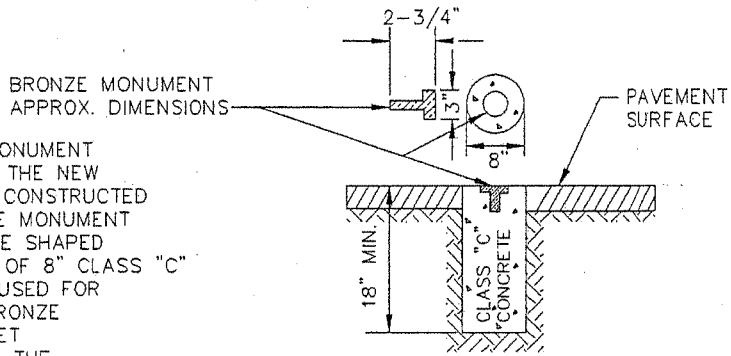
NOT TO SCALE

APPROVED  Public Works Director Date	CITY OF FERNDALE PRECAST SURVEY MONUMENT OFF-ROAD USE	DRAWING S-1
--	---	----------------

JUNE 1995

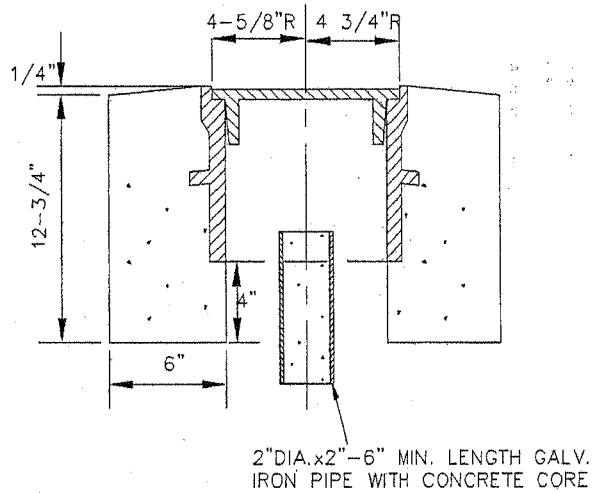
2091SV1A/S-1

NOTE: THE HOLE FOR THE MONUMENT SHALL BE CUT AFTER THE NEW PAVEMENT HAS BEEN CONSTRUCTED THE UPPER 3" OF THE MONUMENT ENCASEMENT SHALL BE SHAPED TO A TRUE DIAMETER OF 8" CLASS "C" CONCRETE SHALL BE USED FOR ENCASEMENT. THE BRONZE MONUMENT WILL BE SET SIMULTANEOUSLY WITH THE POURING OF CONCRETE IN THE ENCASEMENT



SURVEY MONUMENT DETAIL

NOTES: MONUMENT CASE AND COVER AS PER WASHINGTON STATE DEPT. OF TRANSPORTATION STANDARD PLAN H-7
 THE CASINGS SHALL BE GRAY IRON, ASTM A48 CLASS 40, THE COVER AND SEAT SHALL BE MACHINED SO AS TO HAVE PERFECT CONTACT AROUND ENTIRE BEARINGS SURFACE
 WHEN THE MONUMENT CASE AND COVER ARE PLACED IN CEMENT CONCRETE PAVEMENT THE CONCRETE BASE WILL NOT BE NECESSARY



SURVEY MONUMENT AND CASE DETAILS

NOT TO SCALE

APPROVED

John F. Eberly
 Public Works Director Date

CITY OF FERNDALE
 SURVEY MONUMENTS
 FOR ON-ROAD USE

DRAWING
 S-2